



PROTEKTOR POWERGRIP

FOR A SECURE FIXATION

New profile generation with power for a reliable plastering result.
Profile with surface embossing for exterior rendering.

www.protektor.com

POWER
GRIP

PLASTER ADHERES WITHOUT LIMIT

PROFILE GENERATION WITH POWER FOR A RELIABLE RENDERING RESULT

The grip between the hands and the rock plays an important role in climbing. Especially when it comes to a perfect grip, athletes give everything to get a secure grip. Not only in climbing does the condition of the surface have an influence on the grip, but also in plastering it is an essential factor for optimal plaster adhesion. The roughness of the surface and thus the size of the adhesive surface plays an important role. This applies to the plaster base (masonry) as well as to the plaster profiles.

With Protektor PowerGrip, we have dealt intensively with adhesion and its influence on the safety and durability of plaster profiles. In extensive test series, the significantly improved plaster adhesion could be proven.

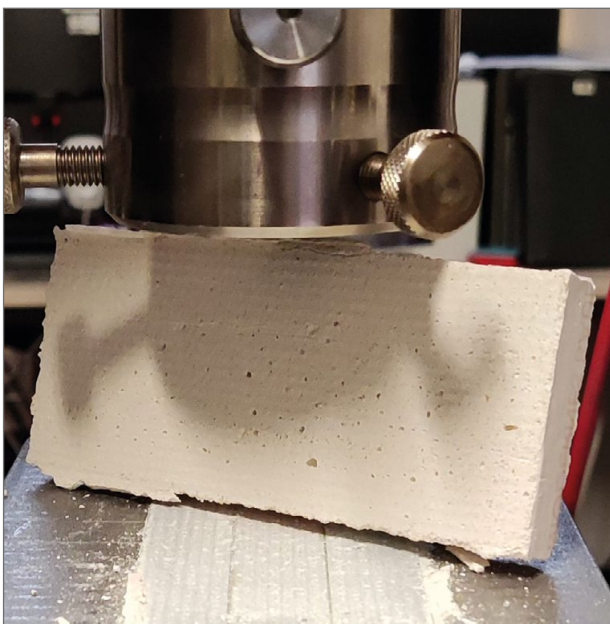
In future, some tried-and-tested exterior plaster profiles made of galvanised steel will be given an additional surface embossing on the profiles. This profile technology has already been a proven standard in interior trowel profiles for many years and is a factor in the reduction of cracking in thin-layer plasters.

The PowerGrip technology is applied to the profile with an additional work step, it significantly improves the adhesion of the exterior plaster and reduces the risk of cracking along the profile head.

In addition, an increase in the proportion of holes in the PowerGrip profiles ensures even better plaster adhesion. Perfectly suitable for mineral lightweight plasters („lightweight fibre plasters“, „ultra-light plasters“, „super-light plasters“ type II according to DIN EN 998-1) with increasingly reduced dry bulk densities and strengths.

PROTEKTOR POWER GRIP

- ❖ PowerGrip technology significantly improves the adhesion of the plaster.
- ❖ Surface embossing in both profile legs for a new, perfectly adhering plaster base.
- ❖ Increased proportion of holes for even better plaster bonding
- ❖ Advantage for mineral lightweight plasters with increasingly reduced dry bulk densities and strengths
- ❖ A consistent further development of proven profile types

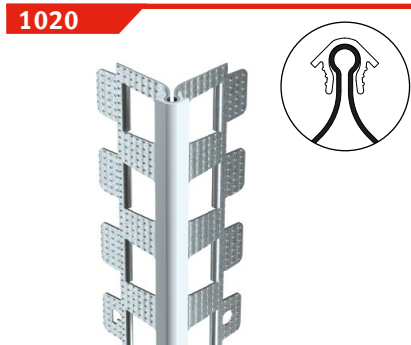


www.protektor.com



PRODUCT OVERVIEW POWERGRIP

PROFILE TECHNOLOGY WITH STRONG PLASTER ADHESION



Edge profile for exterior plaster (round head)

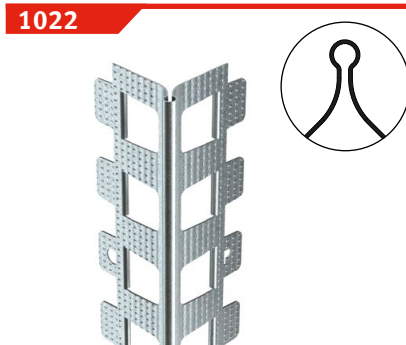
Plaster thickness: 10 mm

Leg length: 39 mm

Steel, galvanised plus PVC extrusion sheathing

Length (cm): 225, 250, 300

Packing: 15 PCS



Edge profile for interior plaster (round head)

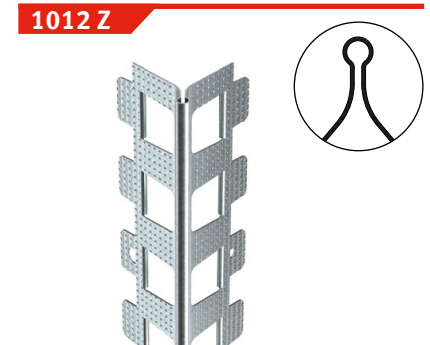
Plaster thickness: 10 mm

Leg length: 39 mm

steel, galvanised

Length (cm): 250, 300

Packing: 15 PCS



Edge profile for interior and exterior plaster (round head)

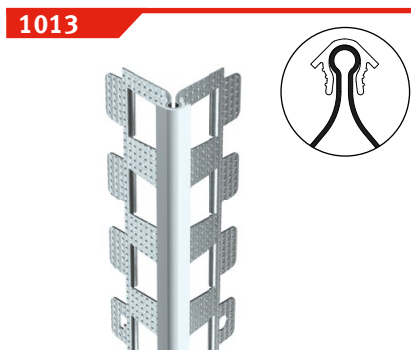
Plaster thickness: 12 mm

Leg length: 39 mm

Steel, galvanised, increased zinc layer

Length (cm): 225, 250, 275, 300

Packing: 15 PCS



Edge profile for exterior plaster (round head)

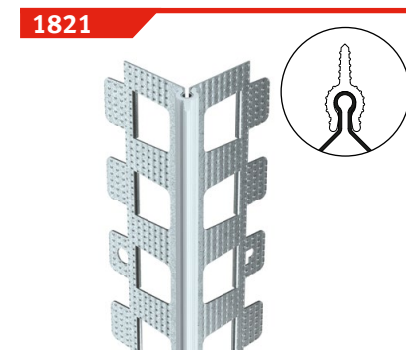
Plaster thickness: 14 mm

Leg length: 40 mm

Steel, galvanised plus PVC extrusion sheathing

Length (cm): 200, 225, 250, 260, 275, 300

Packing: 15 PCS



Edge profile for exterior plaster (pointed head)

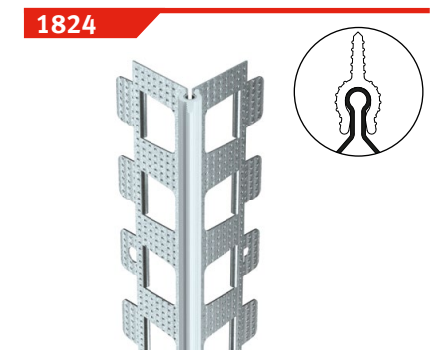
Plaster thickness: 10 mm

Leg length: 43 mm

Steel, galvanised plus PVC extrusion sheathing

Length (cm): 225, 250, 260, 275, 300

Packing: 15 PCS



Edge profile for exterior plaster (pointed head)

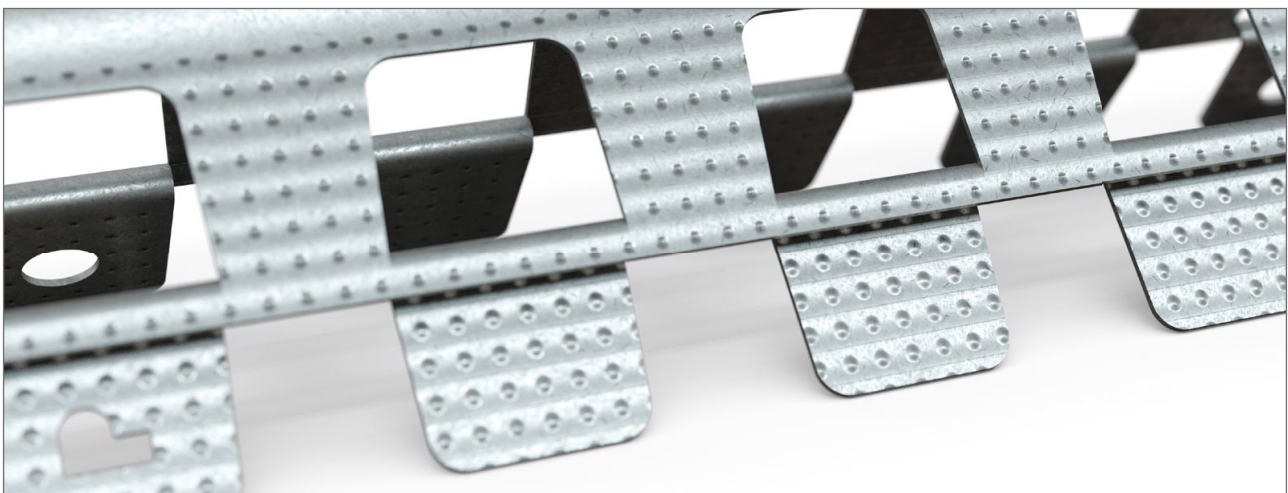
Plaster thickness: 14 mm

Leg length: 43 mm

Steel, galvanised plus PVC extrusion sheathing

Length (cm): 250, 260, 275, 300

Packing: 15 PCS



POWERGRIP

PROVEN TECHNOLOGY - IMPROVED PLASTER ADHESION

The substrate is everything! An often neglected and yet essential principle, why cracks and unsightly problem areas in exterior plaster occur time and again.

So why not also optimise the profile, an essential component and part of the substrate for the plaster system, for perfect adhesion?

With the aim of consistently developing and optimising proven products, Protektor has implemented the technology of surface embossing for exterior plaster profiles.

The result is the new Profile generation. „PowerGrip“, which provides additional safety for tradesmen and building owners.

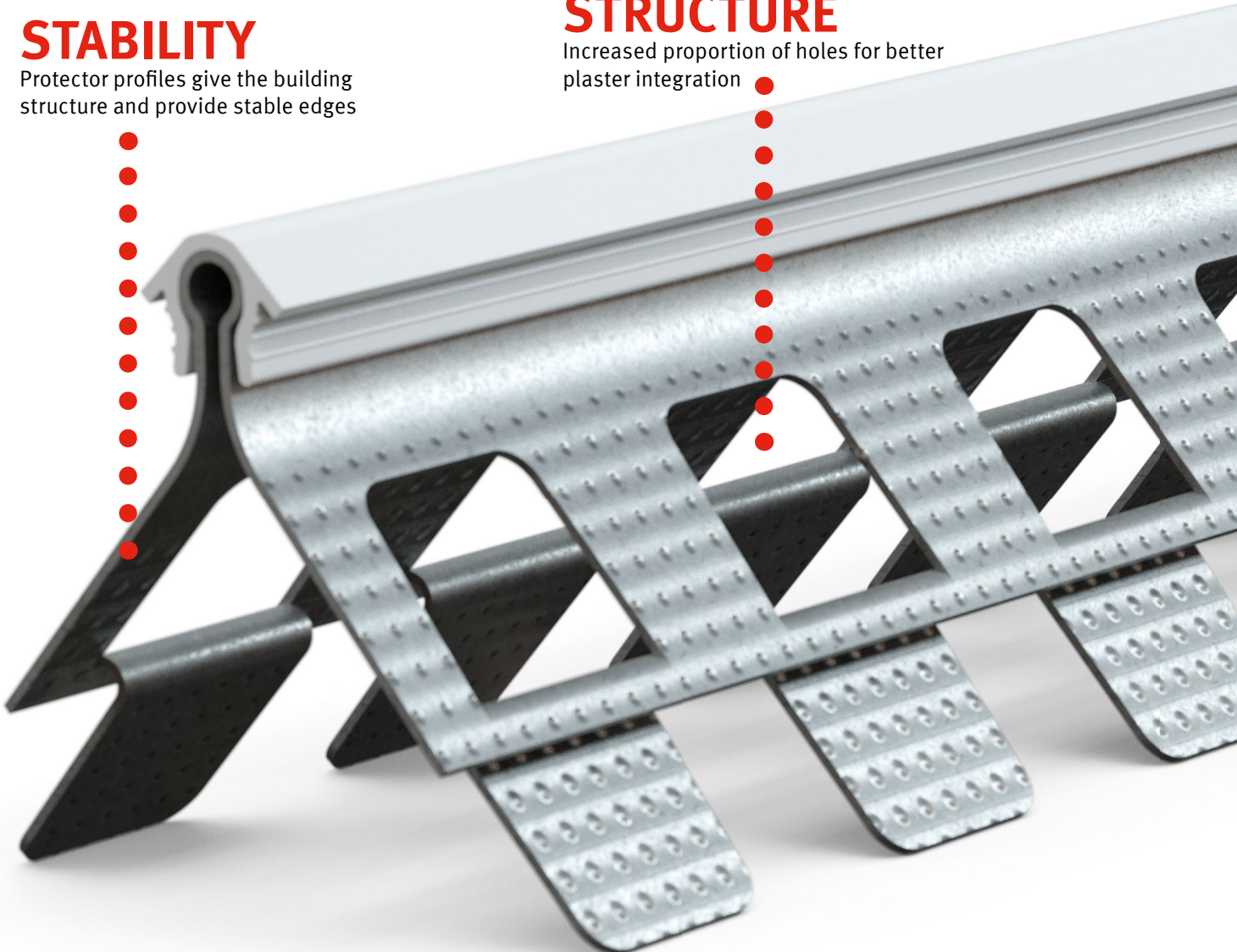


STABILITY

Protector profiles give the building structure and provide stable edges

STRUCTURE

Increased proportion of holes for better plaster integration

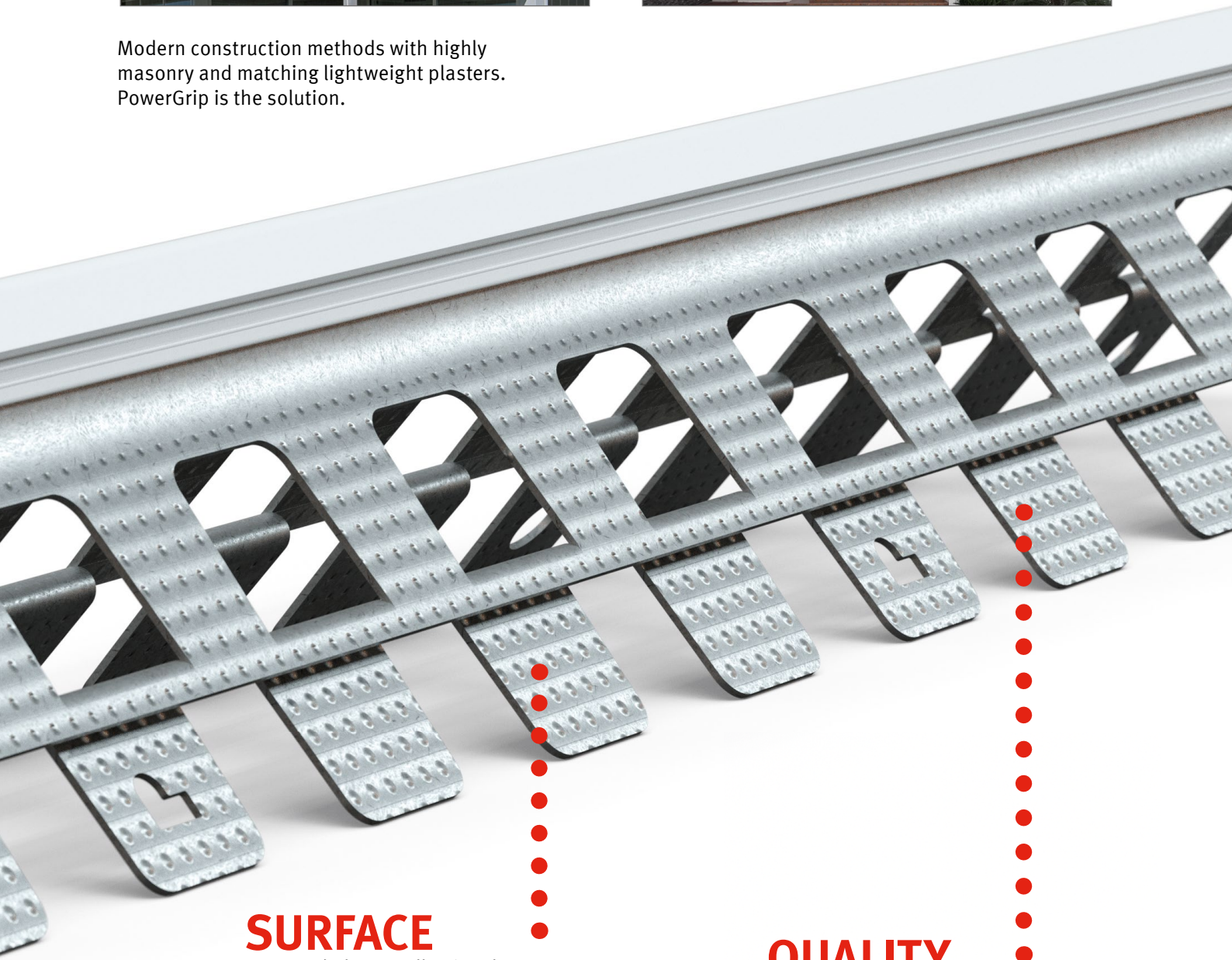


ADAPTED SECURITY

READY FOR MODERN CONSTRUCTION METHODS AND MATERIALS



Modern construction methods with highly masonry and matching lightweight plasters. PowerGrip is the solution.



SURFACE

Improved plaster adhesion due to Embossing on the profile surface

QUALITY

Proven Profile technology consistently further developed to adapt perfectly to future construction methods and materials.

PARTNERS WITH COMPETENCE

GREAT BRITAIN

PROTEKTOR UK Limited
 Protektor House
 Frederick Road
 Hoo Farm Industrial Estate,
 Kidderminster, Worcestershire
 England, DY11 7RA
 Tel. +44 [0] 1562 515 200
 Fax +44 [0] 1562 515 116
 sales@protektor.co.uk
 www.protektor.co.uk

WEMICO
 Matthew Lane
 Hoo Farm Industrial Estate
 Worcester Road
 Kidderminster, Worcester
 England, DY11 7RA
 Tel. +44 [0] 1562 820 123
 Fax +44 [0] 1562 822 012
 wemico@wemico.co.uk
 www.wemico.com

FRANCE

PROTEKTOR SAS
 ZAE des Portes de la Forêt
 43 allée du Clos des Charmes
 77090 Collégien
 Tel. +33 [0] 1 60 33 25 20
 Fax +33 [0] 1 60 33 06 56
 info@protektor.fr
 www.protektor.fr

SWITZERLAND

PROTEKTOR PROFIL GmbH
 Riedthofstr. 184
 8105 Regensdorf
 Tel. +41 [0] 4484 314 14
 Fax +41 [0] 4484 314 24
 info@protektor.ch
 www.protektor.ch

AUSTRIA

PROTEKTOR International GmbH
 Viktoriastraße 58
 76571 Gaggenau
 Tel. +49 [0] 7225 977 0
 Fax +49 [0] 7225 977 111
 info@protektor.de
 www.protektor.de

SPAIN

PROTEKTOR PERFILES, S.L.
 Sr. Daniel Fernández-Sosa
 C/Sant Auguri, 5. Bloque B.
 Despacho 5
 43002 Tarragona
 mobile: +34 [0] 6090 237 68
 info-spain@protektor.com
 www.protektor.com/es

TURKEY

PROTEKTOR PROFIL SISTEMLERİ SAN. VE TIC. LTD. ŞTİ.
 Akse Mahallesi-471.No: 15/3
 41420 Cayirova-Gebze
 Tel. +90 [0] 262 743 37 00
 Fax +90 [0] 262 743 37 01
 info-turkiye@protektor.com
 www.protektor.com/tr



Original

Protektor

since 1903

PROTEKTORWERK Florenz Maisch GmbH & Co. KG

Viktoriastraße 58
 76571 Gaggenau

Postfach 1420
 76554 Gaggenau

Tel. 07225 / 9 77-0
 Fax 07225 / 9 77-111

info@protektor.com
 www.protektor.com