



# LED-LIGHTNING DESIGN LUMINO

ACCENTS FOR INTERIOR DESIGN

Lumino from Protektor provides the right light for unusual lighting concepts is provided by Lumino from Protektor. Everywhere, where accents are required for interior design, the aluminium profile tracks create a special ambience.

[www.protektor.com](http://www.protektor.com)





**LUMINO – LED-LIGHTNING DESIGN**

The new PROTEKTOR product LUMINO brings the right light for extraordinary lightning concepts. Wherever you need unusual accents in room design the aluminium profiles provide a special atmosphere. Whether as an LED profile or magnetic LED strip for fixing to metal surfaces, Lumino lets your professional drywall projects shine in modern light.

**Product video**  
Watch now »



# LED-LIGHTNING DESIGN LUMINO

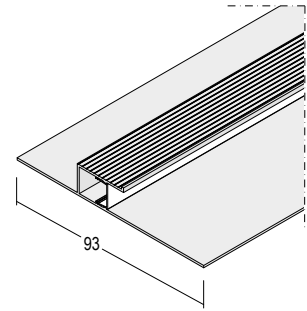
## PRODUCT CLASS 6660



### LED cove profile white

Vouten profile with opal plastic cover for LED strips.  
Suitable for LED strips with max. width 10 mm and max. 20 Watt/m.  
LED rail without LED strips.  
For panel thickness 12.5 mm

**Material:** Aluminum, white coated  
**Material thickness (mm):** 1 mm  
**Notes:**  
The surface of the profiles (anodised or powder-coated) may show small scratches, press marks and discolouration due to the pressing process and mechanical processing. This does not constitute reasons for complaint.



**NEW**

Item number	Description	Length	Order number	Width (mm)	Weight (kg/m/pc)	Package/ Large pack
6524	2000 mm	200	119114		0.806	4 PC / 400 BOX

### Plasterboard 12,5 mm with aluminium LED profile 15 mm

Straight plasterboard strips with integrated aluminium profile incl. opal plastic cover to accommodate LED strips. For LED strips with a width of up to 13 mm. Light sources are not included in the scope of delivery.

**Material:** Plasterboard with aluminium



Item number	Description	Length	Order number	Width (mm)	Weight (kg/m/pc)	Package/ Large pack
6500	2000 x 145 mm	200	119048		2.660	5 PC / 20 BOX

### Corner Plasterboard 12,5 mm with aluminium LED profile 15 mm

Plasterboard corner junction with integrated aluminium profile incl. opal plastic cover to accommodate LED strips. For LED strips with a width of up to 13 mm. Light sources are not included in the scope of delivery.

**Material:** Plasterboard with aluminium

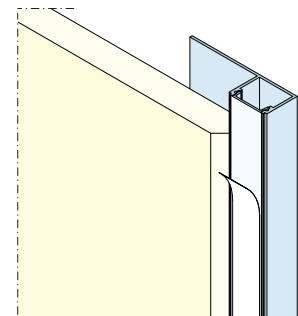


Item number	Description	Length	Order number	Width (mm)	Weight (kg/m/pc)	Package/ Large pack
6501	290 mm x 145 mm	0	119049		0.580	10 PC / 80 BOX

### LED render stop profile

Connecting and end profile with opal plastic cover for LED strips.  
Suitable for LED strips with max. width 14 mm and max. 15 Watt/m.  
LED rail without LED strips.  
For panel thickness 12.5 mm

**Material:** Aluminum  
**Material thickness (mm):** 1 mm  
**Notes:**  
The surface of the profiles (anodised or powder-coated) may show small scratches, press marks and discolouration due to the pressing process and mechanical processing. This does not constitute reasons for complaint.

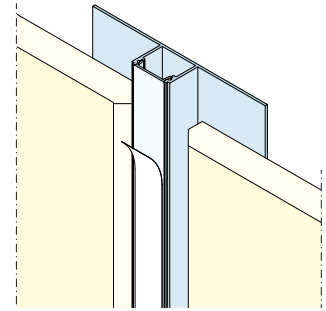


Item number	Description	Length	Order number	Width (mm)	Weight (kg/m/pc)	Package/ Large pack
6522	2000 mm	200	118335		0.446	4 PC / 100 BOX

**LED surface profile**

Connection profile with opal plastic cover on both sides for LED strips.  
 Suitable for LED strips with max. width 14 mm and max. 15 Watt/m.  
 LED rail without LED strips.

**Material:** Aluminum  
**Material thickness (mm):** 1 mm  
**Notes:**  
 The surface of the profiles (anodised or powder-coated) may show small scratches, press marks and discolouration due to the pressing process and mechanical processing. This does not constitute reasons for complaint.

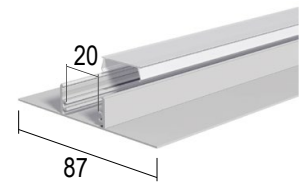


Item number	Description	Length	Order number	Width (mm)	Weight (kg/m/pc)	Package/ Large pack
<b>6523</b>	2000 mm	200	118336		0.688	4 PC / 100 BOX

**LED surface profile wide**

Connection profile on both sides with opal plastic cover for LED strips.  
 Suitable for LED strips with a maximum width of 20 mm and a maximum of 20 watts/m.  
 LED track without LED strips.  
 For plate thickness 12.5 mm  
 Can be used as main lighting in conjunction with a 20 watt LED strip.

**Material:** Aluminum  
**Material thickness (mm):** 1 mm  
**Notes:**  
 The profiles (anodized or powder-coated) may have small scratches, press marks and discolouration on the surface due to the pressing process and mechanical processing. This does not constitute a reason for a complaint.

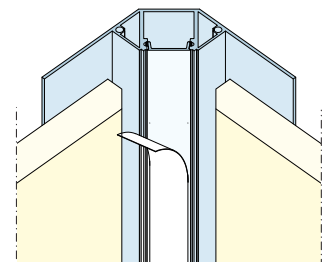


Item number	Description	Length	Order number	Width (mm)	Weight (kg/m/pc)	Package/ Large pack
<b>6533</b>	2000 mm	200	119865		0.688	4 PC / 100 BOX

**LED internal corner profile**

Internal corner profile with opal plastic cover for LED strips.  
 Suitable for LED strips with max. width 14 mm and max. 15 watts/m.  
 LED profile without LED strips  
 For panel thickness 12.5 mm

**Material:** Aluminum  
**Material thickness (mm):** 1 mm  
**Notes:**  
 The surface of the profiles (anodised or powder-coated) may show small scratches, press marks and discolouration due to the pressing process and mechanical processing. This does not constitute reasons for complaint.

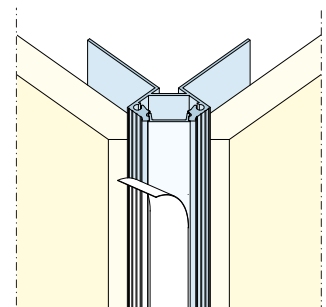


Item number	Description	Length	Order number	Width (mm)	Weight (kg/m/pc)	Package/ Large pack
<b>6542</b>	2000 mm	200	118337		1.220	4 PC / 100 BOX

**LED External corner profile**

External corner profile with opal plastic cover for LED strips.  
 Suitable for LED strips with max. width 14 mm and max. 15 watts/m.  
 LED profile without LED strips  
 For panel thickness 12.5 mm

**Material:** Aluminum  
**Material thickness (mm):** 1 mm  
**Notes:**  
 The surface of the profiles (anodised or powder-coated) may show small scratches, press marks and discolouration due to the pressing process and mechanical processing. This does not constitute reasons for complaint.



Item number	Description	Length	Order number	Width (mm)	Weight (kg/m/pc)	Package/ Large pack
<b>6543</b>	2000 mm	200	118338		0.720	4 PC / 100 BOX

# LED-LIGHTNING DESIGN LUMINO

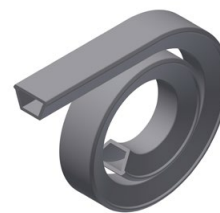
## PRODUCT CLASS 6660



### LED Protective tube black

Prevents the penetration of filler.  
Reusable.

**Material:** PVC



Item number	Description	Length	Order number	Width (mm)	Weight (kg/m/pc)	Package/ Large pack
6547	5000 mm	500	118342		0.430	1 PC / 100 BOX

### LED Protective tube wide black

Prevents the penetration of filler.  
Reusable.

**Material:** PVC



Item number	Description	Length	Order number	Width (mm)	Weight (kg/m/pc)	Package/ Large pack
6534	5000 mm	500	119866		0.430	1 PC / 100 BOX

### Opal plastic cover

Opal cover as a spare part.  
The profiles are already fitted with the opal cover.

**Material:**



Item number	Description	Length	Order number	Width (mm)	Weight (kg/m/pc)	Package/ Large pack
6546	2000 mm	200	119320		0.060	4 PC / 400 BOX

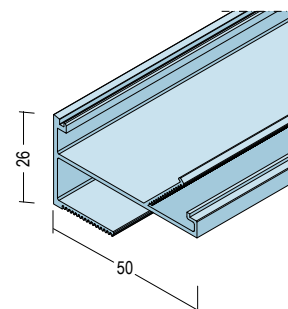
### LED alu-ceiling rail sunset

For creating shadow joints. Suitable for LED strips with max. width 18 mm and max. 30 watts/m. LED profile Lumino without LED strip. For panel thickness 12.5 mm.

**Material:** Aluminum  
**Material thickness (mm):** 1,5 mm

**Notes:**

The surface of the profiles (anodised or powder-coated) may show small scratches, press marks and discolouration due to the pressing process and mechanical processing. This does not constitute reasons for complaint.



Item number	Description	Length	Order number	Width (mm)	Weight (kg/m/pc)	Package/ Large pack
6518	2000 mm	200	118332		0.784	4 PC / 100 BOX

# LED-LIGHTNING DESIGN LUMINO

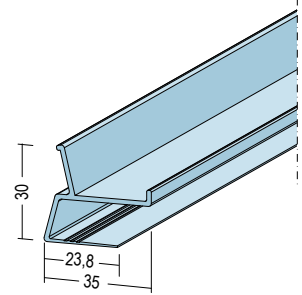
## PRODUCT CLASS 6660



### LED alu-ceiling rail sunrise

For creating a shadow joint.  
Suitable for LED strips with max. width 12 mm and max. 30 watts/m. LED track Lumino without LED strip. For panel thickness 12.5 mm.

**Material:** Aluminum  
**Material thickness (mm):** 1,5 mm  
**Notes:**  
The surface of the profiles (anodised or powder-coated) may show small scratches, press marks and discolouration due to the pressing process and mechanical processing. This does not constitute reasons for complaint.

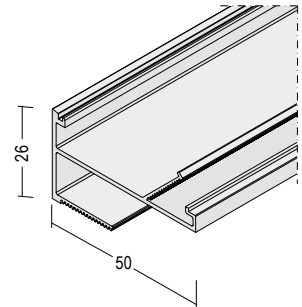


Item number	Description	Length	Order number	Width (mm)	Weight (kg/m/pc)	Package/ Large pack
6538	2000 mm	200	118334		0.588	4 PC / 100 BOX

### LED alu-ceiling rail sunset white

For creating shadow joints. Suitable for LED strips with max. width 18 mm and max. 30 watts/m. LED profile Lumino without LED strip. For panel thickness 12.5 mm.

**Material:** Aluminum, white coated  
**Material thickness (mm):** 1,5 mm  
**Notes:**  
similar RAL 9010  
  
The surface of the profiles (anodised or powder-coated) may show small scratches, press marks and discolouration due to the pressing process and mechanical processing. This does not constitute reasons for complaint.

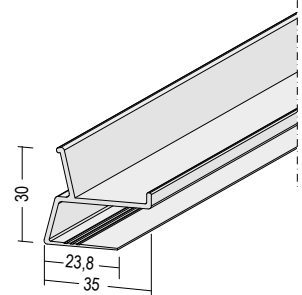


Item number	Description	Length	Order number	Width (mm)	Weight (kg/m/pc)	Package/ Large pack
6519	2000 mm	200	118331		0.784	4 PC / 100 BOX

### LED alu-ceiling rail sunrise white

For creating a shadow gap.  
Suitable for LED strips with max. width 12 mm and max. 30 watts/m. LED track Lumino without LED strip. For panel thickness 12.5 mm.

**Material:** Aluminum, white coated  
**Notes:**  
similar RAL 9010



Item number	Description	Length	Order number	Width (mm)	Weight (kg/m/pc)	Package/ Large pack
6541	1500 mm	150	117264		0.450	4 PC / 50 BOX
6539	2000 mm	200	118333		0.588	4 PC / 100 BOX

### LED light strip set Sunline

4 x 1000 mm x 18 mm x 7 mm  
With magnetic strip for quick fastening.  
2835 LED 24V Strip IP43, 1200 Lm, max. 10 Watt, EEF: A++CRI:>80, incl. 2-m connection cable and plugs, CE & RoHS  
incl. LED power cable all plug adapters

**Material:**  
**Notes:**  
WEEE-Reg.-No. DE 93452812  
Cannot be combined with LED profile SUNRISE resp. SUNSET



Item number	Description	Length	Order number	Width (mm)	Weight (kg/m/pc)	Package/ Large pack
6525	3000K (warm-white)	100	114424		1.000	1 PC / 60 BOX
6526	4000K (white)	100	114425		1.000	1 PC / 60 BOX

# LED-LIGHTNING DESIGN LUMINO

## PRODUCT CLASS 6660



### LED light strip set Sunline dimmable

4 x 1000 mm x 18 mm x 7 mm  
With magnetic strip for quick fastening.  
2835 LED 24V Strip IP43, 1200 Lm, max. 10 Watt,  
EEF: A++CRI:>80, incl. 2-m connection cables and  
plugs, CE & RoHS  
incl. LED power cable, remote control  
and dimmer controller, and all plug  
adapters

**Material:****Notes:**

WEEE-Reg.-No. DE 93452812  
Cannot be combined with LED profile SUNRISE  
resp. SUNSET



Item number	Description	Length	Order number	Width (mm)	Weight (kg/m/pc)	Package/ Large pack
6531	4000K (white)	100	114427		1.000	1 PC / 60 BOX

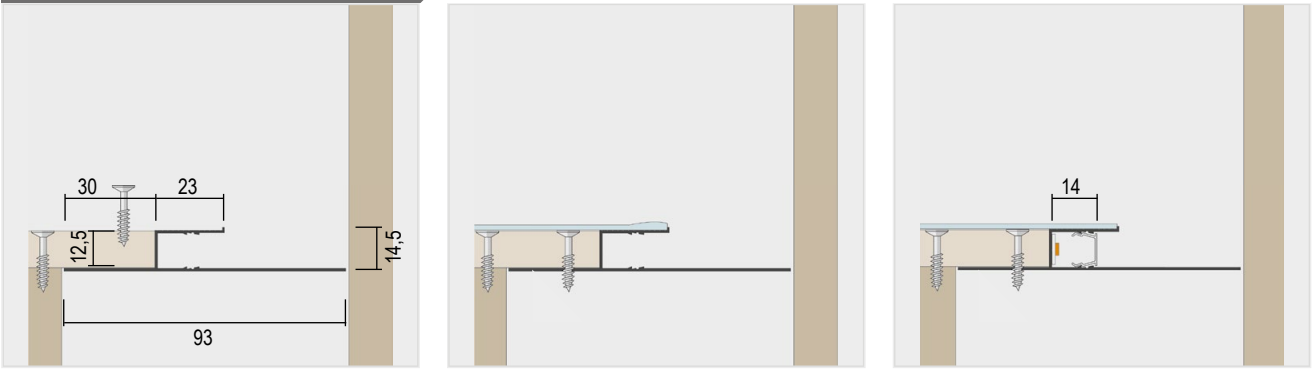


# INSTALLATION INSTRUCTIONS

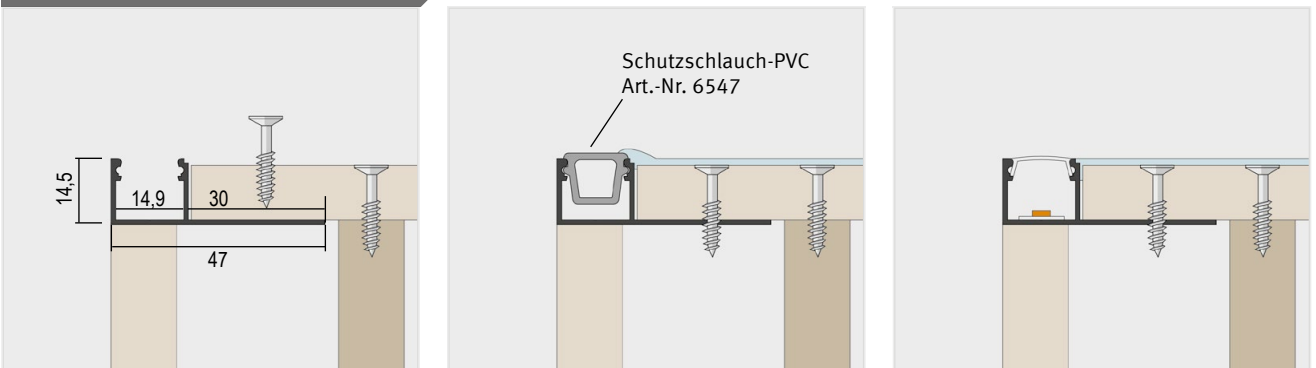
## LED-LIGHTNING DESIGN LUMINO



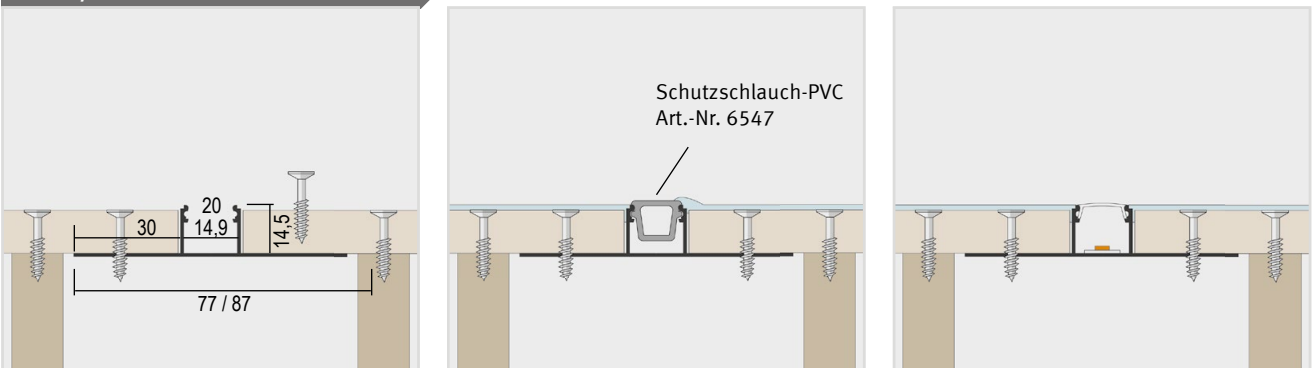
6524



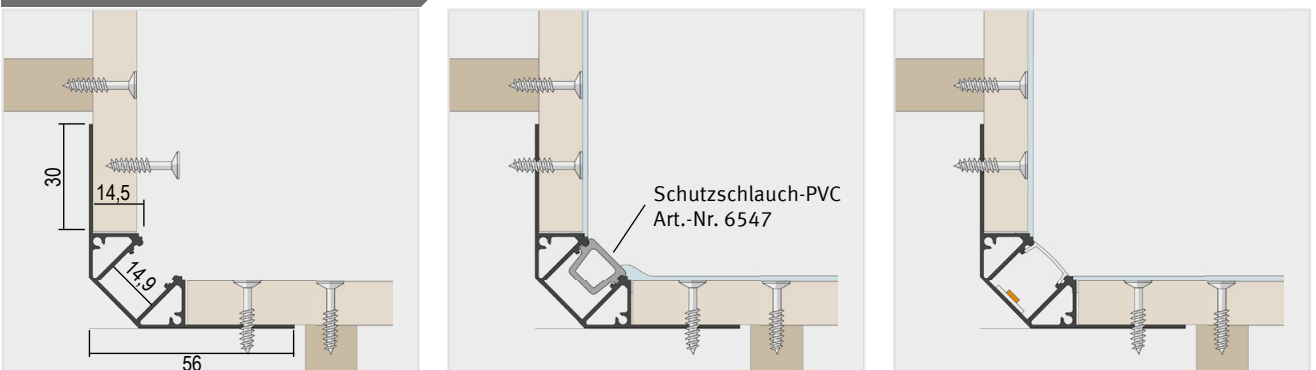
6522



6523 / 6533



6542



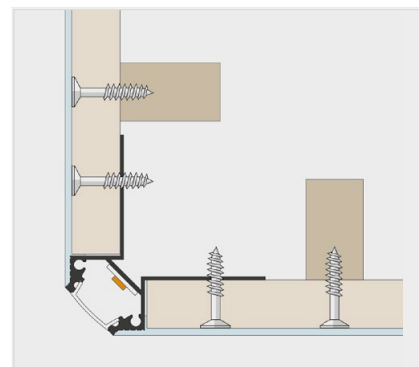
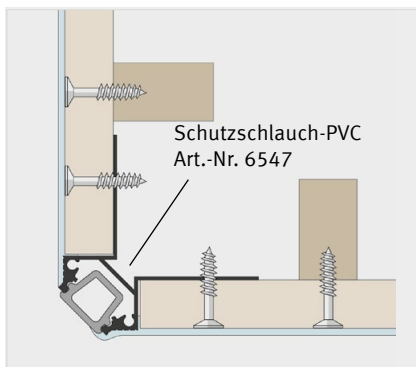
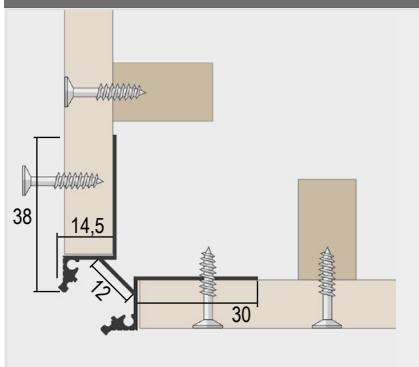


# INSTALLATION INSTRUCTIONS

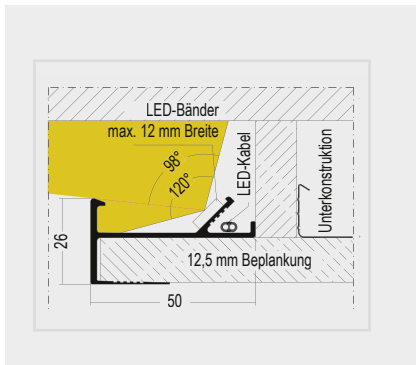
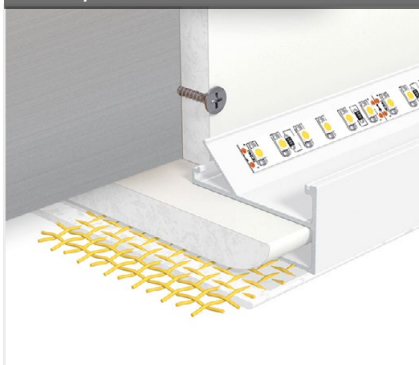
## LED-LIGHTNING DESIGN LUMINO



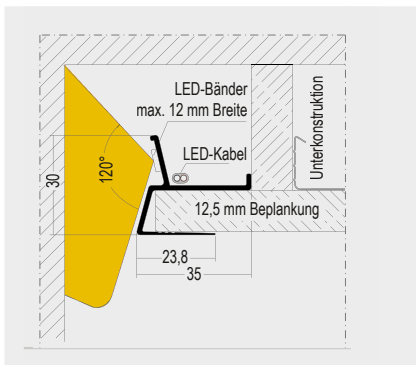
6543



6518 / 6519



6538 / 6539



### LUMINO – LED-LIGHTNING DESIGN

#### Processing instructions:

Filling may only be carried out when no major changes in the length of the panel material are to be expected, e.g. as a result of temperature or moisture changes. Please observe the information in BVG leaflet no. 1 'Construction site conditions'. Expansion joints should be made every 4 m (joint width 2 mm <15W LED power/m or 4 mm >15W LED power/m). Chamfer the ends of the profiles. Depending on the product, the LED protective conduit with article no. 6547 should be used. Roughen the filling surfaces of the profiles (anodised or powder-coated) before filling. The levelling surfaces of the profiles must also be cleaned before levelling. A reinforcement strip must be used when filling. The respective manufacturer's instructions and standards for the products used must be observed. Degrease the profile with spirit, for example, before painting. The LED technology may only be installed by specialised personnel. The manufacturer's instructions on handling, installation, etc. must be observed and complied with.

#### Note

The surface of the profiles (anodised or powder-coated) may show small scratches, press marks and discolouration due to the pressing process and mechanical processing. This does not constitute grounds for complaint.

#### Product video

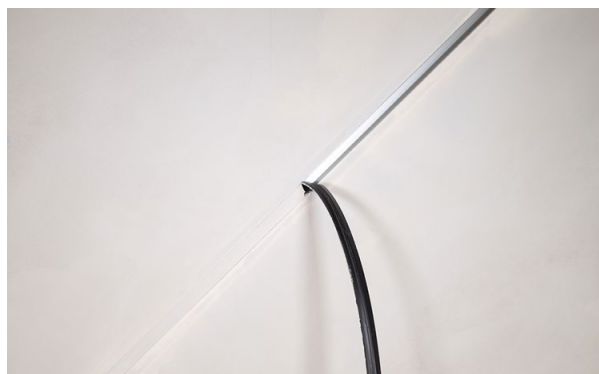
Watch now »



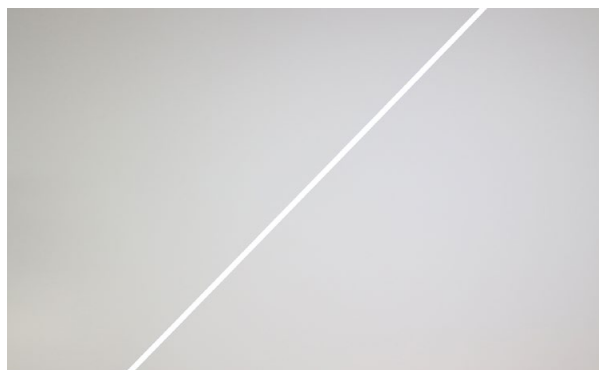
Profile fixed to the substructure and planked according to manufacturer's instructions



Insert and fill protective sleeve no. 6547

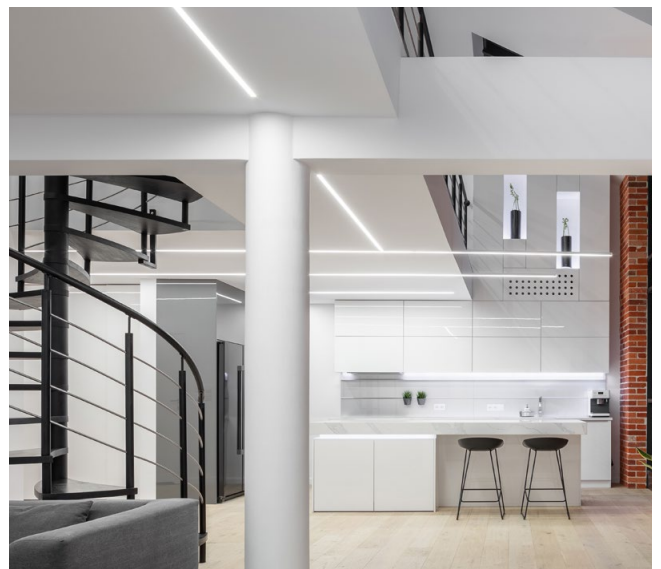


After painting, remove the protective coating and any paint and plaster and plaster residues



End profile no. 6523 with LED strip and clipped-in cover profile cover profile

# LED-LIGHTNING DESIGN LUMINO OBJECTS



## PARTNERS WITH COMPETENCE

### GREAT BRITAIN

**PROTEKTOR UK Limited**  
 Protektor House  
 Frederick Road  
 Hoo Farm Industrial Estate,  
 Kidderminster, Worcestershire  
 England, DY11 7RA  
 Tel. +44 [0] 1562 515 200  
 Fax +44 [0] 1562 515 116  
 sales@protektor.co.uk  
 www.protektor.co.uk

**WEMICO**  
 Matthew Lane  
 Hoo Farm Industrial Estate  
 Worcester Road  
 Kidderminster, Worcester  
 England, DY11 7RA  
 Tel. +44 [0] 1562 820 123  
 Fax +44 [0] 1562 822 012  
 wemico@wemico.co.uk  
 www.wemico.com

### FRANCE

**PROTEKTOR SAS**  
 ZAE des Portes de la Forêt  
 43 allée du Clos des Charmes  
 77090 Collégien  
 Tel. +33 [0] 1 60 33 25 20  
 Fax +33 [0] 1 60 33 06 56  
 info@protektor-fr.com  
 www.protektor.fr

### SWITZERLAND

**PROTEKTOR PROFIL GmbH**  
 Riedthofstr. 184  
 8105 Regensdorf  
 Tel. +41 [0] 4484 314 14  
 Fax +41 [0] 4484 314 24  
 info@protektor.ch  
 www.protektor.ch

### AUSTRIA

**PROTEKTOR International GmbH**  
 Viktoriastraße 58  
 76571 Gaggenau  
 Tel. +49 [0] 7225 977 0  
 Fax +49 [0] 7225 977 111  
 info@protektor.de  
 www.protektor.de

### SPAIN

**PROTEKTOR PERFILES, S.L.**  
 Sr. Daniel Fernández-Sosa  
 C/Sant Auguri, 5. Bloque B.  
 Despacho 5  
 43002 Tarragona  
 mobile: +34 [0] 6090 237 68  
 info-spain@protektor.com  
 www.protektor.com/es



*Protektor*  
 since 1903

**PROTEKTORWERK** Florenz Maisch GmbH & Co. KG

Viktoriastraße 58  
 76571 Gaggenau

Postfach 1420  
 76554 Gaggenau

Tel. 07225 / 9 77-0  
 Fax 07225 / 9 77-111

info@protektor.com  
 www.protektor.com